

SURE GRIP™ **CONTROLS INC.** A Bailey Hydraulics Company



RELIABLE. CONFIGURABLE. DELIVERABLE.

SUREGRIPCONTROLS.COM | 1-800-831-2278 | SALES@SUREGRIPCONTROLS.COM

MANUFACTURING

Our production processes utilize lean manufacturing techniques such as flow line assembly, kanban, cross training, WIP management, FIFO, visual instructions, short interval management and more. We have a strong continuous improvement culture and are always looking for ways to be more efficient in our processes. In-house production capabilities include standard handle assembly and test line, joystick assembly line, custom handle/joystick assembly line and various subassembly lines. All lines utilize computerized testing and packaging stations with full process traceability and appropriate quality checks. All of our control handles, joysticks, proportional modules and wiring harnesses are designed, assembled and tested in house. Production machining, injection molding, surface mounted circuit board fabrication and faceplate overlay printing are contracted out to qualified suppliers.

Customized jigs and tools are used for efficient and uniform manufacturing. We have structured and documented procedures for assembly and testing to ensure consistent, high quality. All Sure Grip products are tested for proper electrical and mechanical operation in the factory before shipment.

Component inventory is carefully managed with inventory management software to ensure that production demands can always be met. Our inventory, purchasing and sales systems are fully integrated.

CUSTOMIZATION & INNOVATION

Our Research and Design staff have extensive backgrounds in broad areas of mechanical and electrical engineering. This technical capability is coupled with our experience in industrial product development, marketing, and manufacturing to create an effective team for producing quality products. This group's abilities are not only directed toward the development of new products, but also to the adaptation of our existing products to a customer's specific needs.

The most common application of the technical staff's creativity is in the customization of current products to meet a customer's specifications for handle functions, switch configurations, wiring harness specifications, labeling and brand identification. We are able to accommodate original equipment manufacturers with customized handles, switches, LED's, wiring and faceplate overlay graphics in most situations. The majority of handles sold to original equipment manufacturers are customized. Our injection molded component designs are done in-house using 3D Solid Works modeling. We contract out for production of stereo lithography prototypes prior to the manufacture of injection molds.

We do all our electronic circuit design, programming and development in-house. Our engineering staff has extensive experience in process control systems, instrumentation, micro-controller applications, programming, analog and digital electronics and printed circuit board design.



○ Vancouver, B.C.

○ Seattle, WA

○ Portland, OR

VICTORIA, B.C.

Sure Grip Controls
1949 Keating Cross Road
Saanichton, B.C., Canada V8M 2A4

 SureGripControls.com

 Sales@suregripcontrols.com

 Toll Free: 1-800-831-2278

Local: 250-544-2207

Fax: 250-544-2279



RELIABLE

Sure Grip Controls products are designed with quality built-in. Sure Grip designs and develops products entirely in-house, assuring superior quality of the finished product. Our on-site lab allows for the development of new and improved products, as well as product validation. Sure Grip achieved it's ISO 9001 certification in 2005.

CONFIGURABLE

Sure Grip Controls continues to expand its product line with the development of new handles, joysticks and proportional control products. Sure Grip leads the industry in innovation and creating new opportunities for our customers. Our engineers have a wealth of experience in electrical and mechanical design and can provide custom solutions for virtually any requirement.

DELIVERABLE

Sure Grip Controls is located in a modern 14,000 sq ft building Victoria, British Columbia, Canada. All manufacturing, engineering, and design are located in this facility. The modular design of Sure Grip products allows for a high level of customization while still offering deliveries in less than two weeks. This is virtually unmatched in this industry.

TABLE OF CONTENTS

JOYSTICKS

HANDLES

CAN HANDLES

HANDLES
COMPONENTS

HANDLES
ACCESSORIES

ELECTRONICS

STANDALONE
COMPONENTS

HANDLE
SELECTION
GUIDE



JSA SINGLE AXIS JOYSTICK

JOYSTICKS

HANDLES

CAN HANDLES

HANDLES COMPONENTS

HANDLES ACCESSORIES

ELECTRONICS

STANDALONE COMPONENTS

HANDLE SELECTION GUIDE

The all new JSA single axis joystick with our PE handle is the ideal control solution for the scissor lift market. Our unique design (patent pending) provides great feel, durability, and the high quality you expect from Sure Grip Controls. Utilizing contactless Hall sensor technology, the JSA sets the standard in reliable control.

The JSA offers excellent sealing, minimum below the panel depth, and mounting compatibility with virtually all other single axis joysticks.

Input/Output:

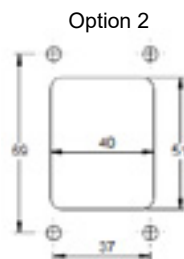
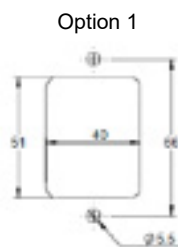
- Input: 5 VDC
- Output: 0.5 to 4.5 VDC

Features:

- Long life – tested to 10 million cycles (40 million operations)
- IP69K sealing
- Multiple mounting options
- Excellent Resolution: $\pm 30^\circ$ travel
- 100 V/m EMC Immunity

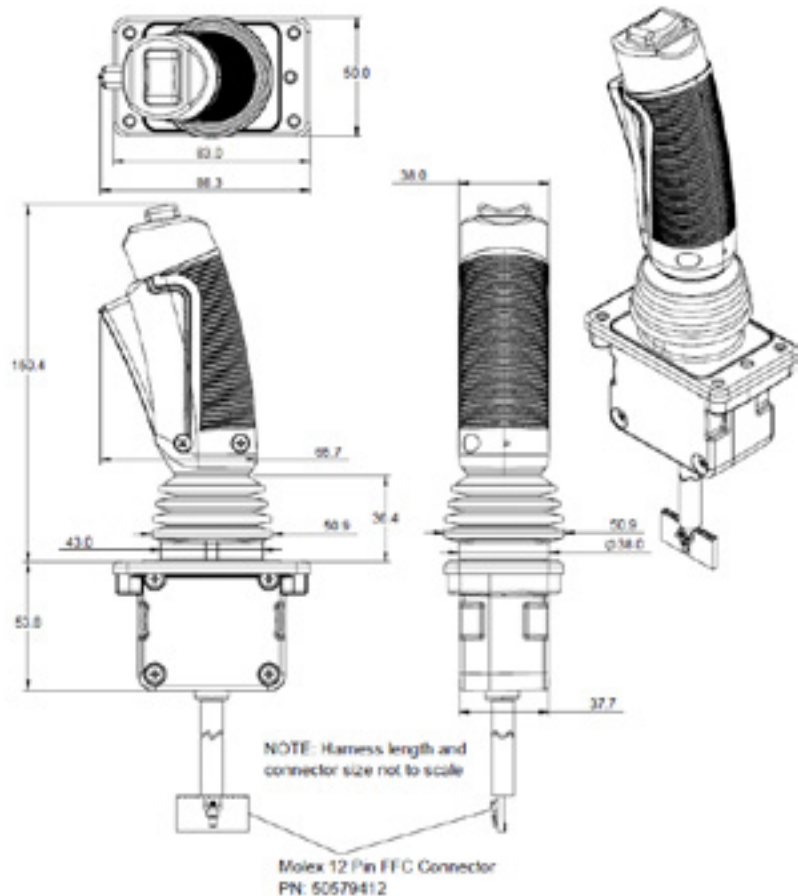
Dimensions:

Mounting Specifications



Maximum panel thickness: 3.18mm (1/8")

Screw type: M5x0.8 Button Head



JSC CAN SERIES JOYSTICK

The all new JSC joystick is designed and manufactured for the rugged off-road market. Utilizing contactless Hall sensor technology, the JSC sets the standard in price/performance for J1939 joysticks.

The JSC offers excellent sealing, minimum below the panel depth, and mounting compatibility with our popular JSM joystick.

The JSC is designed to operate with all our existing Handles, providing the ultimate in flexibility.

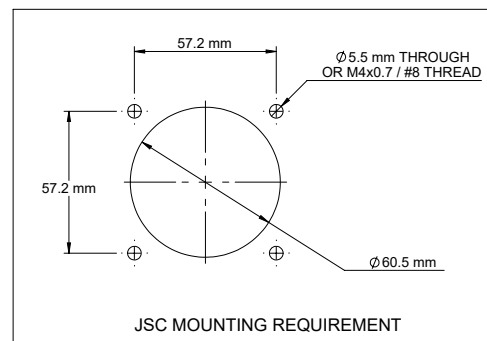
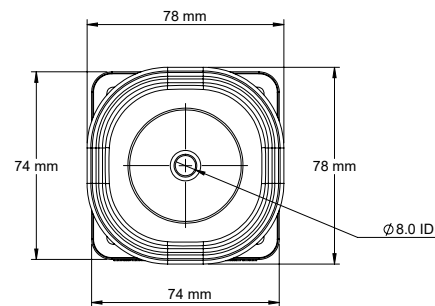
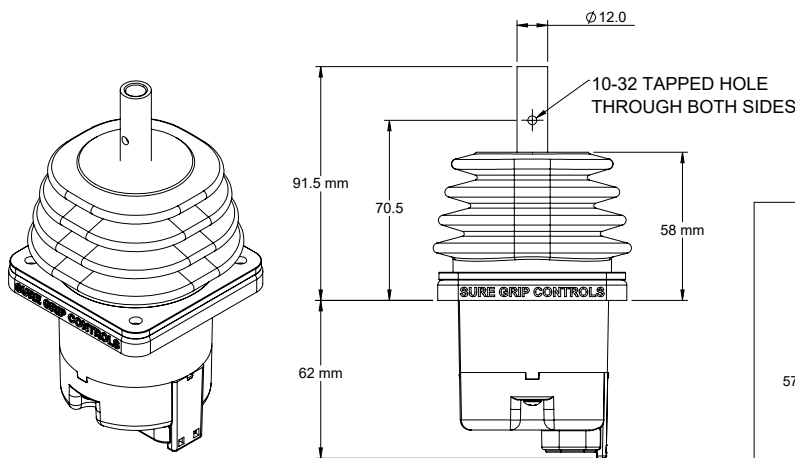
Input/Output:

- Input: 10-30 VDC
- Output: J1939 CANbus

Features:

- Long life – tested to 10 million cycles (40 million operations)
- IP69K/IP67 sealing
- Integrated connector
- 125 V/m EMC Immunity
- High strength Chromoly shaft
- Supports nearly all Sure Grip handles

Dimensions:



JOYSTICKS

HANDLES

CAN HANDLES

HANDLES COMPONENTS

HANDLES ACCESSORIES

ELECTRONICS

STANDALONE COMPONENTS

HANDLE SELECTION GUIDE

JSM SERIES JOYSTICK

JOYSTICKS

HANDLES

CAN HANDLES

HANDLES COMPONENTS

HANDLES ACCESSORIES

ELECTRONICS

STANDALONE COMPONENTS

HANDLE SELECTION GUIDE

The Sure Grip “JSM” Series Electronic Joystick is our second generation joystick. It incorporates the newest Hall Effect sensor technology and advanced internal wire configuration. All of the electronics are located in a sealed cap to protect it from the harsh environment. Output options include CAN, Proportional, Switched, USB, and PWM. Single and dual axis spring-return-to-center or friction hold configurations are also available. The Joystick can be configured with our JE, LE, KE and NE control grips. For standard options refer to configuration guide. Otherwise, contact us to learn how we can customize our products to meet your specific needs.

Electronics:

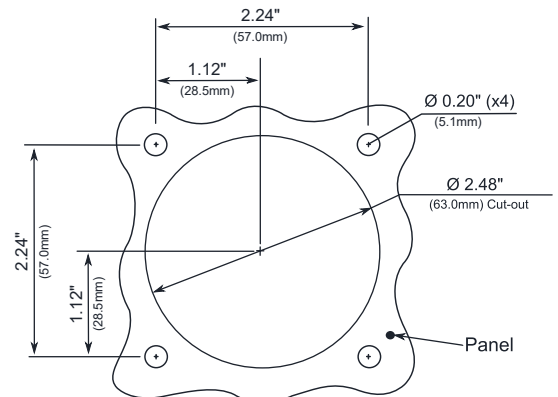
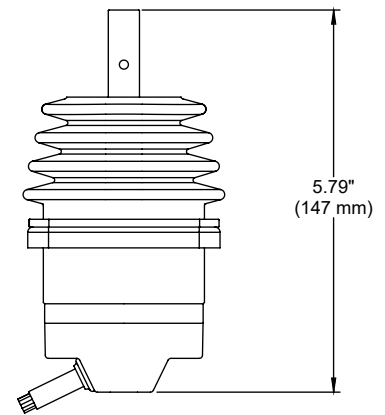
The “JSM” Series Joystick uses a Hall Effect sensor that is calibrated to provide a linear output relative to joystick position. This is designed to perform consistently in harsh environments that otherwise would not be feasible with mechanical sensing solutions such as potentiometers.

Output Options:

- J1939 CAN
- Analog 0.5 - 2.5 - 4.5 vdc (single or dual redundant)
- Switched 2.5A Solid State (with redundant analog outputs)
- USB interface
- PWM High Current Valve driver (four 2.5A PWM)

Features:

- Long life - tested to 20 million operations
- Rugged design
- Proportional and Switched outputs
- Operating temperature: -40°C to +85°C
- Sealing up to IP67 (handle dependent)
- EMC 100 V/m
- Fully sealed and encapsulated electronics
- Supports all Sure Grip handles (best suited for our JE,LE,KE,NE)



Recommended mounting panel cutout.

JSL SERIES JOYSTICK

The Sure Grip “JSL” Series Electronic Joystick is our second generation joystick that incorporates the newest Hall Effect sensor technology and advanced internal wire configuration. All of the electronics are located in a sealed cap to protect it from the harsh environment. Output options include CAN, Proportional, Switched, USB, and PWM. Single and dual axis spring-return-to-center or friction hold configurations also available. The Joystick can be configured with our JE, LE, KE and NE control grips. For standard options refer to configuration guide. Otherwise, contact us to learn how we can customize our products to meet your specific needs.

“Gimbal Mounting” System

The “JSL” Joystick also features our innovative “Gimbal Mounting” system that allows the joystick to be orientated in the most comfortable operating position. Up to 20 degrees of adjustment (off vertical) in any direction and 360 degrees rotation. This adjustment is accomplished with nothing more than a simple allen wrench.

Electronics:

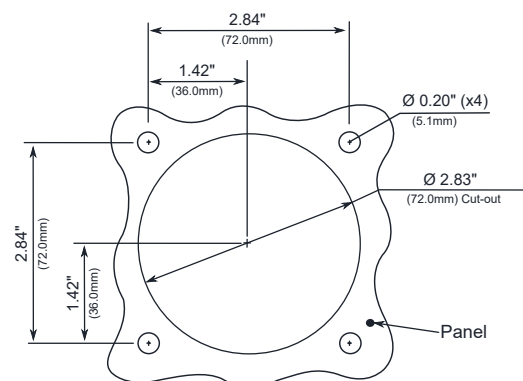
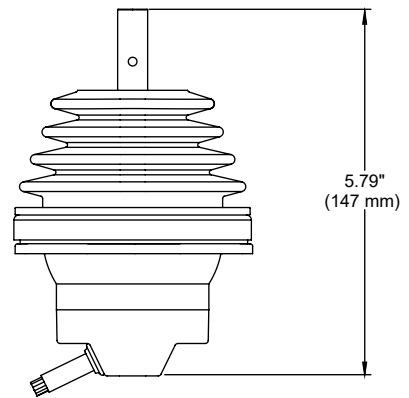
The “JSL” Series Joystick incorporates Hall Effect sensor this is calibrated to provide a linear output relative to joystick position. This is designed to perform consistently in harsh environments that otherwise would not be feasible with mechanical sensing solutions such as potentiometers.

Output Options:

- J1939 CAN
- Analog 0.5 - 2.5 - 4.5 vdc (single or dual redundant)
- Switched 2.5A Solid State (with redundant analog outputs)
- USB interface
- PWM High Current Valve driver (four 2.5A PWM)

Features:

- Adjustable gimbal mounting system
- Long life - tested to 20 million operations
- Rugged design
- Proportional and Switched outputs
- Operating temperature: -40°C to +85°C
- Sealing up to IP67 (handle dependent)
- EMC: 100V/m
- Fully sealed and encapsulated electronics
- Supports all Sure Grip handles (best suited for our JE, LE, KE, NE)



Recommended mounting panel cutout.

JOYSTICKS

HANDLES

CAN HANDLES

HANDLES COMPONENTS

HANDLES ACCESSORIES

ELECTRONICS

STANDALONE COMPONENTS

HANDLE SELECTION GUIDE

MJS MICRO JOYSTICK

JOYSTICKS

HANDLES

CAN HANDLES

HANDLES COMPONENTS

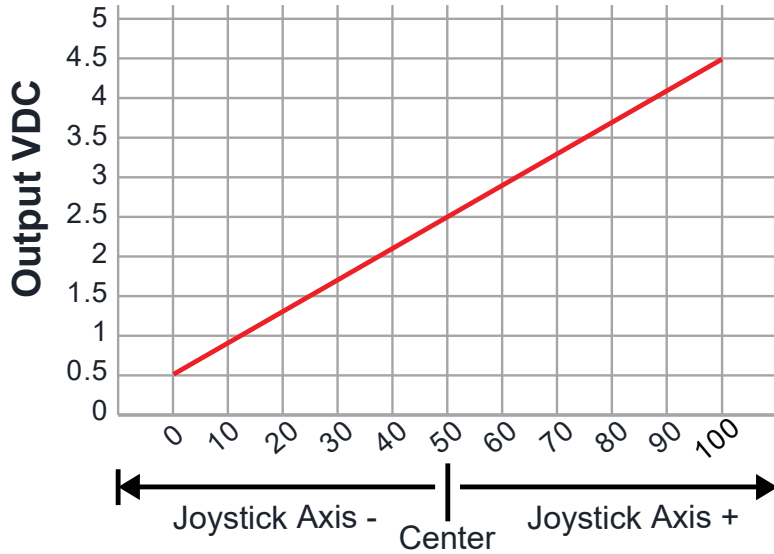
HANDLES ACCESSORIES

ELECTRONICS

STANDALONE COMPONENTS

HANDLE SELECTION GUIDE

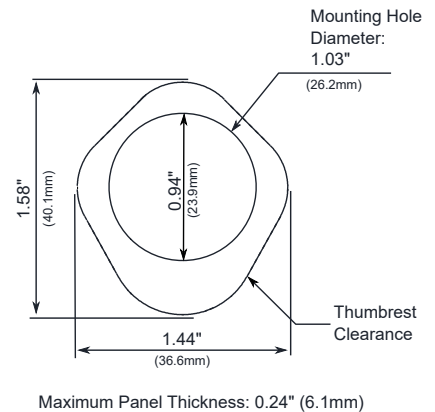
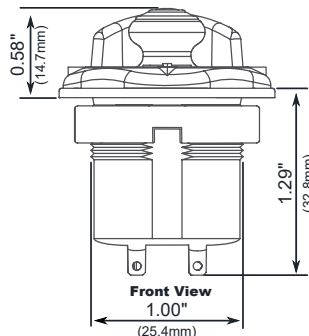
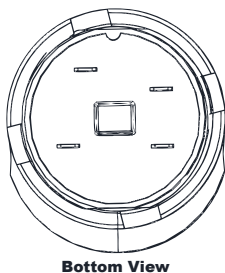
The "Micro Joystick" is a miniature Proportional Hall Effect joystick, designed for exposed applications. This thumb operated joystick provides an additional 2 axes of proportional control within a control grip faceplate.



Micro Joystick (with thumbrest) installed in "JE" Series Handle

Features:

- Sealing to IP67
- Available with thumbrest
- Simple mounting system
- Operation: Dual Axis, Spring Return
- Operating Voltage: 5 VDC@ 30mA
- Output: 0.5 -2.5 - 4.5 VDC (+/-0.2)
- Range of motion: +/- 19°
- Operating temperature: -40°C to +85°C
- Long life - tested to 20 million operations
- Can be ordered individually or installed into our handles



BE CENTER LOCK HANDLE

Sure Grip's patented BE Center Lock handle sets the industry standard in ease of use. By using a 'paddle' mechanism, the BE Center Lock handle is able to replace the collar presently available on the market. The BE Center Lock provides the same functionality with far superior ergonomics. The BE Center Lock handle operates on the JSM joystick in a single or dual axis configuration.

Features:

- Patented paddle style lever operation
- Ergonomic design
- Designed to work on JSM joystick base
- Spring return or friction operation
- Operates in single or dual axis models
- IP67 sealing
- Paddle orientation can be factory set in all 4 directions

Ordering Guide:

Your configured part number: **BE** - - **J**

[A] Forward **[B]** Back **[C]** Left **[D]** Right

Mounting options: **J - JSM installed**



JOYSTICKS

HANDLES

CAN HANDLES

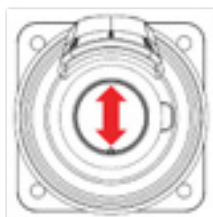
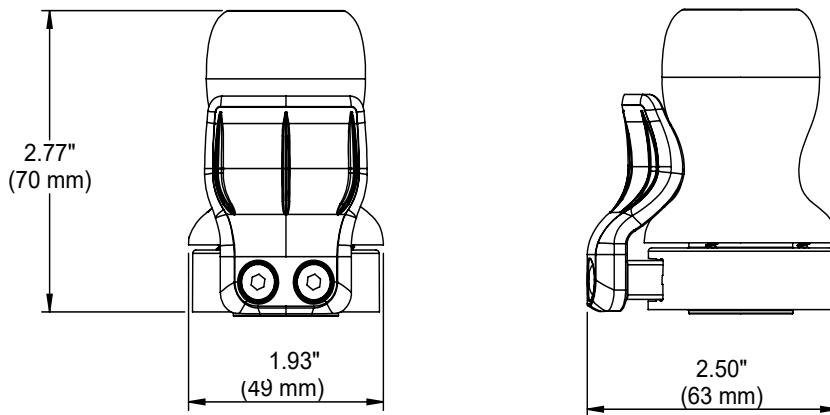
HANDLES COMPONENTS

HANDLES ACCESSORIES

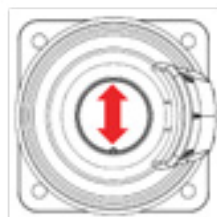
ELECTRONICS

STANDALONE COMPONENTS

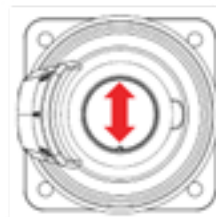
HANDLE SELECTION GUIDE



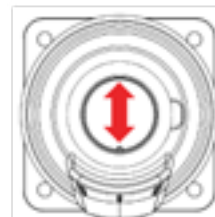
Forward



Right



Left



Back

JE SERIES HANDLES

JOYSTICKS

HANDLES

CAN HANDLES

HANDLES COMPONENTS

HANDLES ACCESSORIES

ELECTRONICS

STANDALONE COMPONENTS

HANDLE SELECTION GUIDE

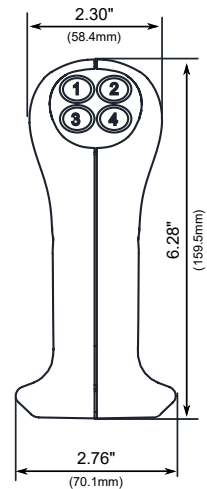
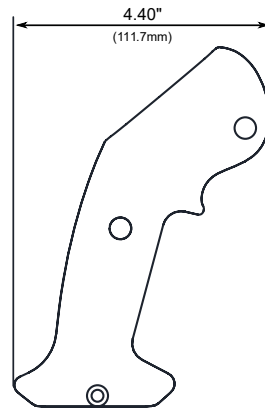
Sure Grip's "JE" Series control grip is our newest designed handle that provides a more ergonomic feel and additional trigger options. It can be configured with up to 4 switches in the faceplate. In addition, you can choose to add a trigger switch and a lower trigger switch or operator presence lever. The "JE" handle is optimized to be installed on our JSM or JSL electronic joysticks.

The control grips are molded from a high impact plastic polymer into a comfortable shape for a rugged and lightweight control handle for extreme duty applications. The standard Sure Grip switches are covered with our patented overlay design that protects the switches from dirt and moisture.

**Note the four button configuration is shown. We stock these configurations for next day shipment. Custom configurations are available and usually ship in less than 2 weeks, see ordering guide or contact factory for details.*

Features:

- Sealing up to IP67
- Rugged design
- Overlay customizable
- Switch tested to 10 million operations
- Optimized for JSM and JSL joysticks
- Multiple trigger options available
- Supports 1 micro joystick
- Supports 2 slider or rocker Modules
- Supports up to 4 faceplate switches



Faceplate Options:

1. "JE" Handle with blank faceplate
2. "JE" Handle with 2 switches on faceplate
3. "JE" Handle with 4 switches on faceplate
4. "JE" Handle with micro joystick
5. "JE" Handle with 1 slider and 1 rocker
6. "JE" Handle with our "JSM" and "JSL" joystick

** Other configurations available, see handle ordering guide.*



1



2



3



4



5

LE SERIES HANDLES

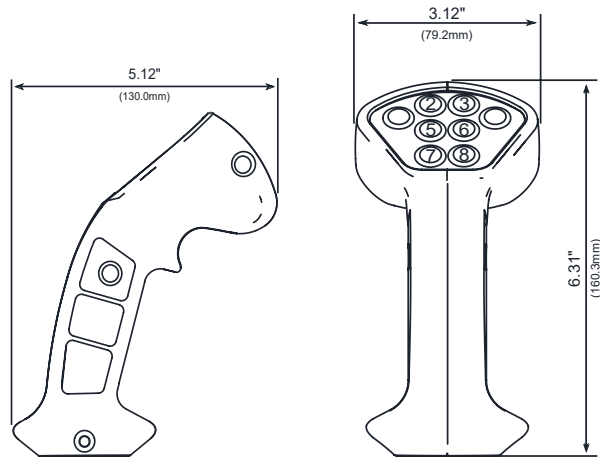
Sure Grip's "LE" Series control grip is our newest designed handle that has the mixed characteristics of "JE" and "L" series handles. It is designed to offer up to 8 switches in the faceplate as well as the option for the trigger switch, second trigger switch or operator presence lever. A keypad can also be installed on the left or right of the handle for an additional 10 buttons. The "LE" handle is optimized to be installed on our JSM or JSL electronic joysticks.

The control grips are molded from a high impact plastic polymer into a comfortable shape for a rugged and lightweight control handle for extreme duty applications. The standard Sure Grip switches are covered with our patented overlay design that protects the switches from dirt and moisture.

Note 1: 8 Button configuration shown, we stock some configurations for next day shipment. Custom configurations are available and usually ship in less than 2 weeks, see ordering guide or contact factory for details.

Features:

- Sealing up to IP67
- Rugged design
- Overlay customizable
- Switch tested to 10 million operations
- Optimized for JSM and JSL joysticks
- Multiple trigger options available
- Supports up to 2 micro joysticks
- Supports up to 4 slider or rocker modules
- Supports up to 8 faceplate switches
- Supports a 10 button keypad



Faceplate Options:

1. "LE"Handle 2 switches on faceplate
2. "LE"Handle 4 switches on faceplate
3. "LE"Handle 6 switches on faceplate
4. "LE"Handle 8 switches on faceplate
5. "LE" Handle with 1 rocker, 1 slider and 4 switches on faceplate
6. "LE"Handle with 2 micro joysticks and 2 switches on faceplate
7. "LE" Handles with our "JSM" and "JSL" joystick

* Other configurations available, see handle ordering guide.



JOYSTICKS

HANDLES

CAN HANDLES

HANDLES COMPONENTS

HANDLES ACCESSORIES

ELECTRONICS

STANDALONE COMPONENTS

HANDLE SELECTION GUIDE

KNOB SERIES HANDLES

JOYSTICKS

HANDLES

CAN HANDLES

HANDLES COMPONENTS

HANDLES ACCESSORIES

ELECTRONICS

STANDALONE COMPONENTS

HANDLE SELECTION GUIDE

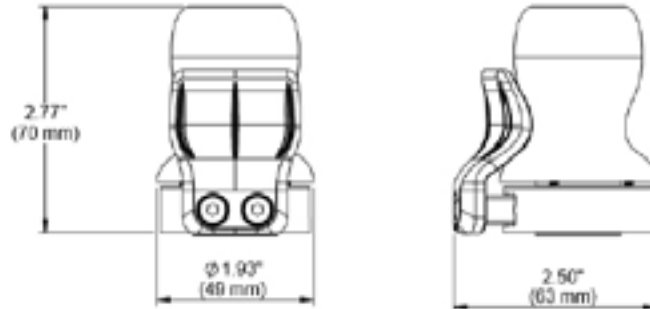
BE Knob

Sure Grip's patented Centre Lock handle sets the industry standard in ease of use. By using a 'paddle' mechanism to replace the collar presently available on the market the BE provides the same functionality with far superior ergonomics. The 'BE' handle operates on either the JSM or JSL joysticks in a single axis configuration.



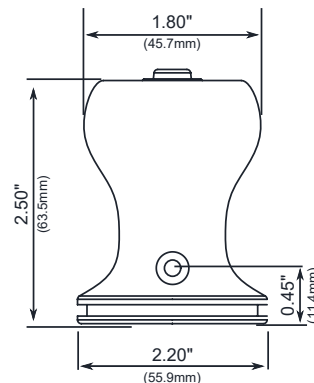
Features:

- Sealing up to IP67
- Ergonomic design
- Simple to operate



KE Knob

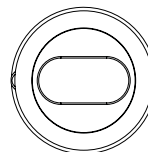
Sure Grip's "KE" knob is available in grey or black, and will support up to 2 momentary switches. The "KE" knob is optimized to be installed on our JSM and JSL electronic joysticks.



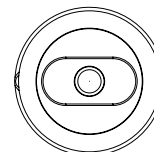
"KE" knob with our "JSL" joystick.

Features:

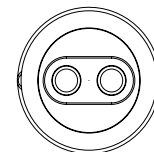
- Sealing up to IP54
- Rugged design
- Overlay is customizable
- Switch tested to 10 million operations



Blank Knob



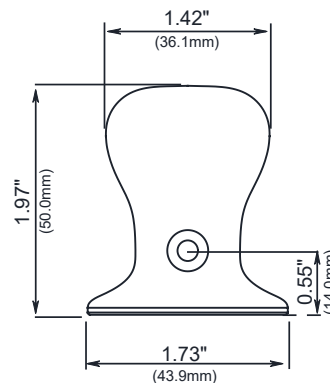
1 Button Switch



2 Button Switch

NE Knob

Sure Grip's "NE" Knob is smaller than the "KE". It is sealed to IP67 and is available in black only and does not support any switches. The "NE" knob is optimized to be installed on our JSM and JSL electronic joysticks.



"NE" knob with our "JSM" joystick.

Features:

- Sealing up to IP67
- Ergonomic design
- Suitable for low clearance applications

AU SERIES HANDLES

Sure Grip's 'AU' handle provides maximum operator comfort and flexibility in virtually all Attachment Applications. The handle is designed to provide years of reliable operation in the most demanding situations. The 'AU' control grip provides features, unique to the industry, that make it an obvious choice when increasing vehicle functionality. It is ideally suited for use with snowplows, grapples, and other tractor attachments. Featuring a unique 'collar' system, the 'AU' will fit any diameter shaft from $\frac{3}{8}$ " to $\frac{3}{4}$ ", and the patented faceplate, which can be rotated up to 360°, allows the handle to be oriented for maximum user comfort. The handle is designed to support up to 4 switches, but will also support 2 rocker or slider modules providing both switched and proportional outputs.

The control grips are molded from a high impact plastic polymer for a rugged and lightweight control handle for extreme duty applications. The standard Sure Grip switches are covered with our patented overlay design that protects the switches from dirt and moisture.

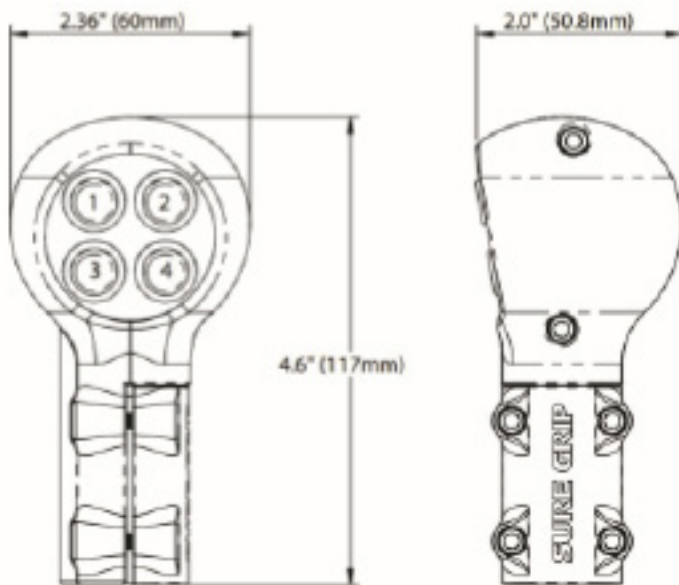
Note: We stock some configurations for next day shipment. Custom configurations typically ship in less than 2 weeks. See ordering guide or contact the factory for details.

Features:

- Sealing to IP67
- Rugged Design
- Fits shaft diameter $\frac{3}{8}$ " to $\frac{3}{4}$ "
- Faceplate rotates for improved orientation
- Switches tested to 10 million operations
- Supports up to 2 rocker or slider modules
- Supports up to 4 faceplate switches



Note: All sleeves are black in color



**Faceplate Location Reference*

JOYSTICKS

HANDLES

CAN HANDLES

HANDLES COMPONENTS

HANDLES ACCESSORIES

ELECTRONICS

STANDALONE COMPONENTS

HANDLE SELECTION GUIDE

SU SERIES HANDLES

JOYSTICKS

HANDLES

CAN HANDLES

HANDLES COMPONENTS

HANDLES ACCESSORIES

ELECTRONICS

STANDALONE COMPONENTS

HANDLE SELECTION GUIDE

Sure Grip's "SU" Series control grip is our small handle commonly used as a replacement handle when installing a new attachment or for OEM applications in a variety of industries. It is designed to offer up to 2 switches in the faceplate as well as the option for a trigger switch.

The control grips are molded from a high impact plastic polymer into a comfortable shape for a rugged and lightweight control handle for extreme duty applications. The standard Sure Grip switches are covered with our patented overlay design that protects the switches from dirt and moisture.

**Note 1: Two Button configuration shown, we stock some configurations for next day shipment. Custom configurations are available and usually ship in less than 2 weeks, see ordering guide or contact factory for details.*



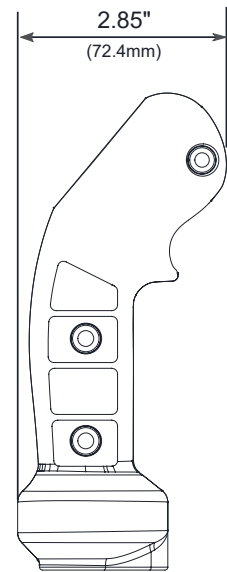
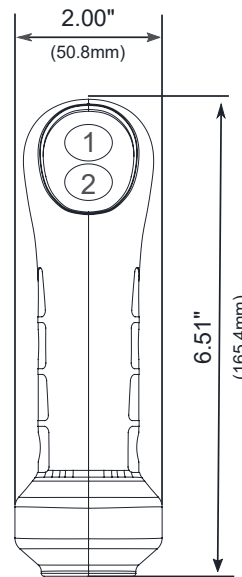
Features

- Sealing up to IP67
- Rugged design
- Overlay customizable
- Switch tested to 10 million operations
- Multiple trigger options available
- Supports 1 micro joystick
- Supports 1 slider or rocker module
- Supports up to 2 faceplate switches

Faceplate Options:

1. "SU" Handle with blank faceplate
2. "SU" Handle with 1 switch on faceplate
3. "SU" Handle with 2 switches on faceplate
4. "SU" Handle with 1 slider
5. "SU" Handle with 1 micro joystick

Other configurations available, see handle ordering guide.



1



2



3



4



5

CU SERIES HANDLES

Sure Grip's "CU" Series control grip is our mid-sized handle. It is designed to offer up to 4 switches in the faceplate as well as the option of a trigger switch or operator presence lever.

The control grips are molded from a high impact plastic polymer into a comfortable shape for a rugged and lightweight control handle for extreme duty applications. The standard Sure Grip switches are covered with our patented overlay design that protects the switches from dirt and moisture.

Note 1: 4 Button configuration shown, we stock some configurations for next day shipment. Custom configurations are available and usually ships in less than 2 weeks, see ordering guide or contact factory for details.



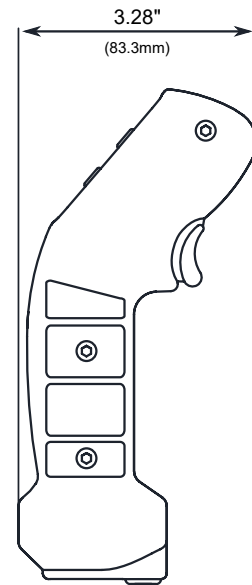
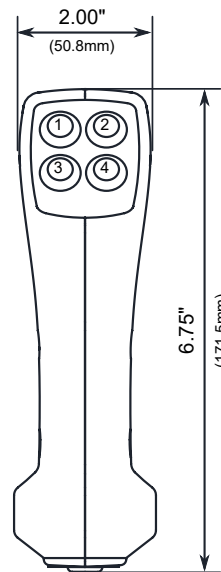
Features:

- Sealing up to IP67
- Rugged design
- Overlay customizable
- Switch tested to 10 million operations
- Supports 1 micro joystick
- Supports up to 2 sliders or rocker modules
- Supports up to 4 faceplate switches

Faceplate Options

1. "CU" Handle Blank faceplate
2. "CU" Handle 2 switch faceplate
3. "CU" Handle 4 switch faceplate
4. "CU" Handle with 1 slider and 1 rocker
5. "CU" Handle with 1 micro joystick

* Other configurations available, see handle ordering guide.



1

2

3

4

5

JOYSTICKS

HANDLES

CAN HANDLES

HANDLES COMPONENTS

HANDLES ACCESSORIES

ELECTRONICS

STANDALONE COMPONENTS

HANDLE SELECTION GUIDE

LU SERIES HANDLES

JOYSTICKS

HANDLES

CAN HANDLES

HANDLES COMPONENTS

HANDLES ACCESSORIES

ELECTRONICS

STANDALONE COMPONENTS

HANDLE SELECTION GUIDE

Sure Grip's "LU" Series control grip is our large handle commonly found on forestry, mining and construction machinery. It is designed to offer up to 8 switches in the faceplate as well as the option for up to 2 trigger switches or operator presence lever. A keypad can also be installed on the left or right of the handle for an additional 10 buttons.



The control grips are molded from a high impact plastic polymer into a comfortable shape for a rugged and lightweight control handle for extreme duty applications. The standard Sure Grip switches are covered with our patented overlay design that protects the switches from dirt and moisture.

Note 1: 8 Button with 10 button keypad shown, we stock some configurations for next day shipment. Custom configurations are available and usually ships in less than 2 weeks, see ordering guide or contact factory for details.

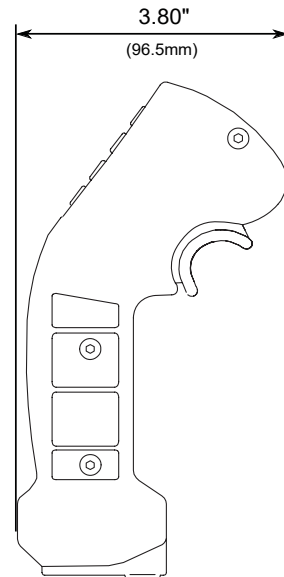
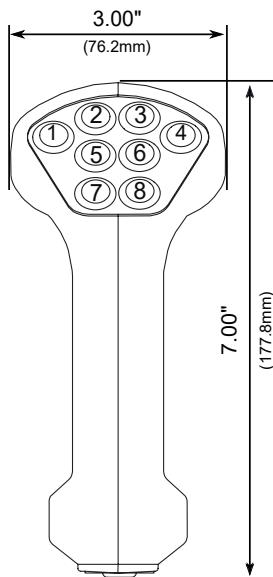
Features:

- Sealing up to IP67
- Rugged design
- Overlay customizable
- Switch tested to 10 million operations
- Multiple trigger options available
- Supports up to 2 micro joysticks
- Supports up to 4 slider or rocker modules
- Supports a 10 button keypad
- Supports up to 8 faceplate switches

Faceplate Options

1. "LU" Handle 2 switches on faceplate
2. "LU" Handle 4 switches on faceplate
3. "LU" Handle 6 switches on faceplate
4. "LU" Handle 8 switches on faceplate
5. "LU" Handle with 1 rocker, 1 slider and 4 switches on faceplate
6. "LU" Handle with 2 micro joysticks and 2 switches on faceplate

** Other configurations available, see handle ordering guide.*



1



2



3



4



5



6

CAN HANDLES

Sure Grip's new CAN output handles are available built in to our LU large style control grips. We have combined the flexibility of our handles with the efficiency and reduced wiring requirements of CAN communication. As with all our LU handles, they can be attached to a wide array of electronic and hydraulic joysticks by use of our large variety of mounting options. They can also be used as a tethered remote by use of our strain relief. No matter the configuration, they will provide the same reliable operation you have come to expect from Sure Grip.

Our handles are available with either J1939 or with CANopen communication protocols. Please contact our factory for more information.

Features:

- J1939 or CANopen outputs available
- Same functionality as standard LU handles
- Built-in Electronics
- Reduced cabling



JOYSTICKS

HANDLES

CAN HANDLES

HANDLES
COMPONENTS

HANDLES
ACCESSORIES

ELECTRONICS

STANDALONE
COMPONENTS

HANDLE
SELECTION
GUIDE

HANDLE OPTIONS & COMPONENTS

JOYSTICKS



Switches

Sure Grip's handle switch options allow for optimal application performance whether your application requires direct to solenoid control or logic level signals such as a PLC. Activation options are available for momentary or maintained functions.

HANDLES

CAN HANDLES



Push Button Switches

Sure Grip's new pushbutton switches provide logic level signals for use with controllers. Available in various colours, they are for use in momentary applications.

HANDLES
COMPONENTS



Slider Module

Sure Grip's Slider Module is designed for thumb operated proportional control in a return to center, return to one end or friction hold configuration.

HANDLES
ACCESSORIES



Rocker Module

Sure Grip's Rocker Module provides switched or proportional control in a thumb operated activation and can be configured as return to center or maintained.

ELECTRONICS



Thumb Joystick

Sure Grip's 'Micro Joystick' is a dual axis proportional Hall Effect Joystick. It provides an additional 2 axes of control within any handle faceplate.

STANDALONE
COMPONENTS

HANDLE
SELECTION
GUIDE



LEDs

Sure Grip maintains a variety of LEDs. Sure Grip LEDs are optimized to be installed in our handles. (Call factory for details).



Trigger Options

Sure Grips offers various trigger options to suit virtually any requirement. Available in the following configurations: Momentary, Proportional, Dual, Dual Maintain, 2 Triggers



10 Button Keypad

Sure Grip's 10 button Keypad provides additional logic level switching for applications such as menu navigation of an operator display.



PODS

Sure Grip's POD provides increased functionality for the LE and LU handles. Available for left or right hand operation they support 2 extra buttons, or an extra rocker or slider.

CUSTOMIZATION & ACCESSORIES

At Sure Grip we understand that one size does not fit all. From our coloured buttons, and custom faceplates, to customer specified connectors, we tailor our solution to meet your needs. Contact us to find out how we can make our products uniquely fit your needs.



Faceplates

Sure Grip offers a wide array of customization to our handles. We can provide coloured buttons as well as modify the location of items on faceplates to suit your application. As well, we can customize the faceplate artwork to provide your logo, or to identify the items.



Bushings

Sure Grip stocks more than 20 different bushings and studs making it simple to mount your custom handle to your hydraulic or electronic joystick assemble.



Connectors

At Sure Grip we stock a wide array of connectors from various manufacturers, and we make cables to any length as standard. Just let us know what you need.



Strain Relief

Sure Grip carries several heavy duty options to provide you with a durable and dependable mechanical restraint for your wiring harness.

JOYSTICKS

HANDLES

CAN HANDLES

HANDLES
COMPONENTS

HANDLES
ACCESSORIES

ELECTRONICS

STANDALONE
COMPONENTS

HANDLE
SELECTION
GUIDE



ELECTRONICS

Sure Grip Controls produces control electronics to suit a variety of applications. We have enhanced our product offering to give you more flexibility. We now offer in-handle electronics to go with the existing in-line electronics.

JOYSTICKS

HANDLES

CAN HANDLES

HANDLES
COMPONENTS

HANDLES
ACCESSORIES



Driver Boards

Sure Grip produces in-line modules to enhance your control:
SDB-P1 Board - Single Axis Driver Board that will drive 2 solenoids
DFA2 board – Danfoss Adapter Driver Board
DPd-18 In-line Diode board for protecting up to 12 switches
DBL-17 Logic Driver Board replaces basic PLC's

Handles With Built-In Driver Boards

Sure Grip now manufactures in-handle SDB boards to control 2 solenoids directly from the handle. Available in either the CU or the LU handles, this board provides cost effective direct to valve control.

ELECTRONICS

STANDALONE
COMPONENTS

HANDLE
SELECTION
GUIDE



CAN Handles

Sure Grip now offers handles that are available with either J1939 or CANopen as outputs. These LU handles can be mounted to a wide array of hydraulic and electronic joysticks using our bushings and mounting studs. They are also designed to operate as tethered remotes by use of a strain relief.

Joysticks With I/O Capability

Sure Grip has the capability to produce CAN joysticks expansion capability with external I/O, allowing the user to connect external devices to the joystick replacing the need for a separate CAN module. Contact the factory for more information.

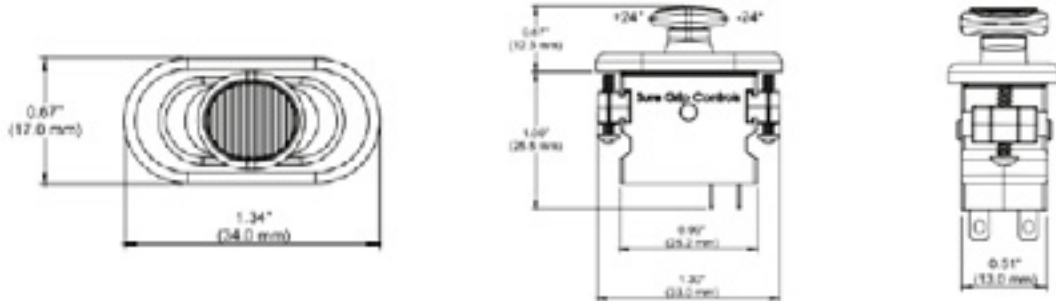
STANDALONE COMPONENTS

Sure Grip Manufactures a wide variety of the finest in control components. They are always in stock for immediate delivery, and are simple to mount on flanges of varying thickness. All our components are sealed so are ideal for any environment.



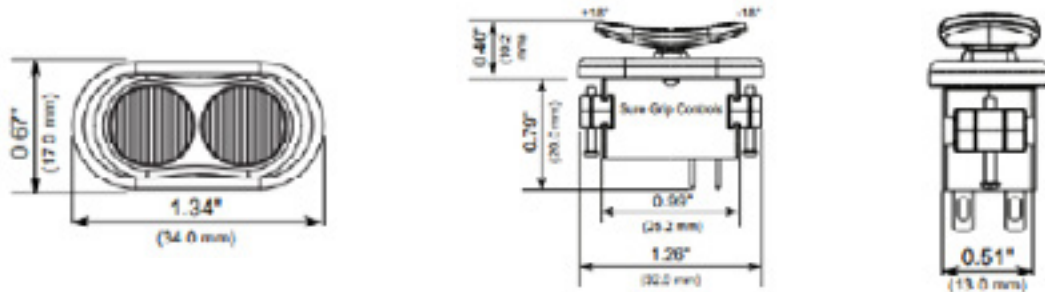
Sliders

Sure Grip's contactless sliders offer superior proportional control in a small, sealed package. Despite the small size, they provide excellent resolution due to their +/- 24° travel, and the use of Hall Effect technology insures long life. They are available with spring return, friction hold, or with detents.



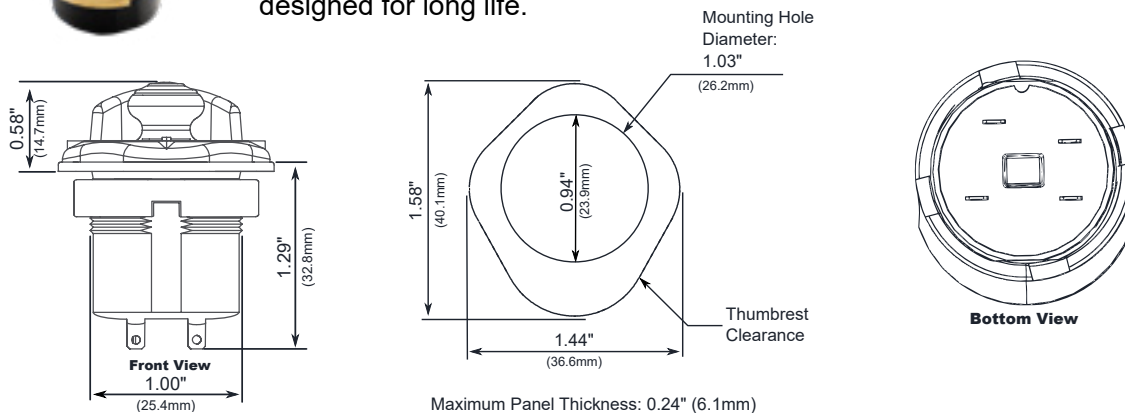
Rockers

Sure Grip's rockers are available as either switched or proportional, and use the same mounting configuration as our Sliders. They are sealed for enhanced durability and provide reliable control in any environment. The switched version will operate in high and low current applications, and the proportional rockers are Hall Effect and are non-wearing.



Micro Joysticks

Sure Grip's MJS thumb operated joystick is a miniature Hall Effect dual axis stick with limited moving parts. The joystick, which is sealed against the environment, provides the user with excellent feel, and like all our products is designed for long life.



JOYSTICKS

HANDLES

CAN HANDLES

HANDLES COMPONENTS

HANDLES ACCESSORIES

ELECTRONICS

STANDALONE COMPONENTS

HANDLE SELECTION GUIDE

HANDLE SELECTION CHART

JOYSTICKS

HANDLES

CAN HANDLES

HANDLES
COMPONENTS

HANDLES
ACCESSORIES

ELECTRONICS

STANDALONE
COMPONENTS

HANDLE
SELECTION
GUIDE



Electronic Joystick Mount

	JE	LE	KE	NE	BE
Max # of Faceplate Function Positions	4	8	2		
Max # of Triggers / Operator Present	2	3			
Max # of Sliders	2	4			
Max # of Rockers	2	4			
Max # of Micro Joysticks	1	2			
High Current Switch Available	✓	✓	✓		
Low Current Switch Available	✓	✓			
IP67 Rating Available	✓	✓		✓	✓
10 Button Keypad Available		✓			
LED Available	✓	✓			
Toggle Switches Available	✓	✓			
Custom Overlay	✓	✓			
Hydraulic Joystick Mounting	<i>Limited</i>	<i>Limited</i>	<i>Limited</i>	<i>Limited</i>	<i>Limited</i>
Electronic Joystick Mounting - JSM / JSL	✓	✓	✓	✓	JSM
Custom cable length available	✓	✓	✓		
Deutsch connector available (DT/DTM series)	✓	✓	✓		
Custom options available (Call Factory)	✓	✓			
Typical Lead time weeks (qty < 100)	2	2	2	2	2

**Universal Mounts on page 21*

HANDLE SELECTION CHART



Universal Mount	SU	CU	LU	AU
Max # of Faceplate Function Positions	2	4	8	4
Max # of Triggers / Operator Present	1	1	2	1
Max # of Sliders	1	2	4	2
Max # of Rockers	1	2	4	2
Max # of Micro Joysticks	1	1	2	
High Current Switch Available	✓	✓	✓	✓
Low Current Switch Available	✓	✓	✓	✓
IP67 Rating Available	✓	✓	✓	✓
10 Button Keypad Available			✓	
LED Available	✓	✓	✓	✓
Toggle Switches Available	✓	✓	✓	✓
Custom Overlay	✓	✓	✓	✓
Hydraulic Joystick Mounting	✓	✓	✓	✓
Electronic Joystick Mounting - JSM / JSL	✓	✓	✓	✓
Custom cable length available	✓	✓	✓	✓
Deutsch connector available (DT/DTM series)	✓	✓	✓	✓
Custom options available (Call Factory)	✓	✓	✓	✓
Typical Lead time weeks (qty < 100)	2	2	2	2

JOYSTICKS

HANDLES

CAN HANDLES

HANDLES COMPONENTS

HANDLES ACCESSORIES

ELECTRONICS

STANDALONE COMPONENTS

HANDLE SELECTION GUIDE



RELIABLE. CONFIGURABLE. DELIVERABLE.